

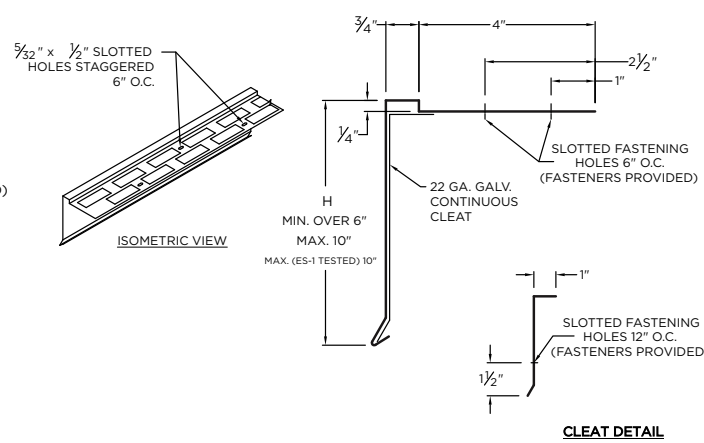
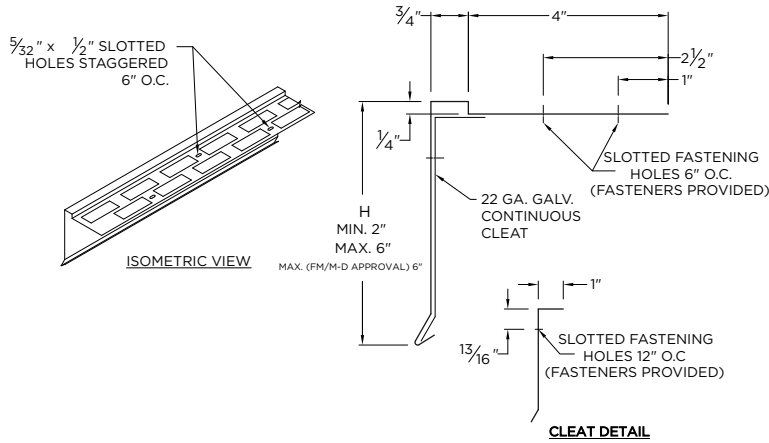
NOTES

- Includes concealed splice plates that must be field caulked to prevent water entry
- Unless otherwise noted, fabrication of miters and accessories are provided with a non-penetrating quicklock joint, then factory sealed watertight
- Welded accessories require minimum material thickness of .050"
- For non-90 miters, see separate print approval
- Product should be installed per provided installation instructions
- ANSI/SPRI/FM 4435/ES-1 Test Pressure up to 276 psf
- FM and Miami-Dade Approval (Max 6" Face)

FACE HEIGHT 6" OR LESS

FACE HEIGHT OVER 6"

(NO FM or MIAMI-DADE APPROVAL)



APPROVALS



ANSI/SPRI/FM 4435/ES-1
Test Pressures listed in notes

PROJECT INFO

Project Name:

Architect:

Roofing Contractor:

Project Type:

By selecting this box you have verified and confirmed that dimensions, sizes, and quantities are correct. All products will be installed in strict accordance with printed instructions.

Date:

Polyglass USA, Inc.
1111 W. Newport Center Dr.
Deerfield Beach, FL 33442
Customer Service: 800-222-9782
Technical Service: 866-794-9659

SHT# 1 of 1
DATE: 02/03/22
DRN BY: JJC
CKD BY: MM
DWG #: 45010-37595
REV: A

DIMENSIONS

(H) Face Height (inches-Max 10")

MATERIAL

- 24 Ga. Galv. Steel
 - 22 Ga. Galv. Steel
 - .040" Aluminum
 - .050" Aluminum
 - .063" Aluminum
 - OTHER:
- Color:
- Finish:
- Substrate:** Wood
 Masonry
 Metal
- If substrate is not given, wood fasteners will be provided.

QUANTITIES

Lineal Feet (12'-0" Lengths)

Outside Miter (90°)

Inside Miter (90°)

Accessory Type:

Quicklock (Default)

Welded (Surcharge)